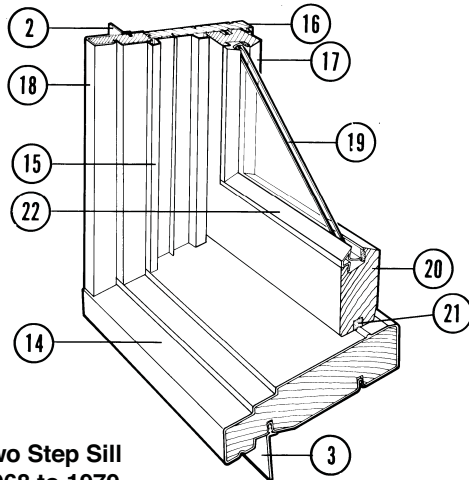
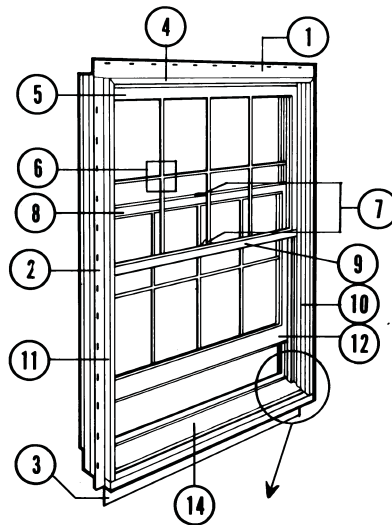


Perma-Shield® Narroline® Windows (1968 to Present)

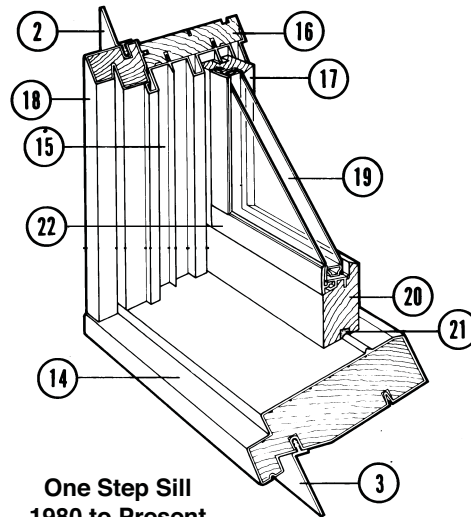
Standard Windows

Parts Illustration

Parts Illustration



Two Step Sill
1968 to 1979



One Step Sill
1980 to Present

- | | | |
|--|----------------------|------------------------------|
| 1. Head Anchoring Flange | 8. Lower Check Rail | 16. Frame |
| 2. Side Anchoring Flange | 9. Upper Check Rail | 17. Lower Stile |
| 3. Windbreak | 10. Side Jamb, Right | 18. Outer Frame |
| 4. Head Outer Frame and Head Jamb Assembly | 11. Side Jamb, Left | 19. Glazing |
| 5. Top Rail | 12. Bottom Rail | 20. Bottom Rail |
| 6. Snap-out Rigid Vinyl Grille (Interior) | 14. Sill | 21. Bottom Rail Weatherstrip |
| 7. Lock and Lock Keeper | 15. Jamb Liner | 22. Glazing Bead |

Manufactured 1968 to Present

Perma-Shield® Narroline® Window Unit Parts

Unit viewed from exterior.